

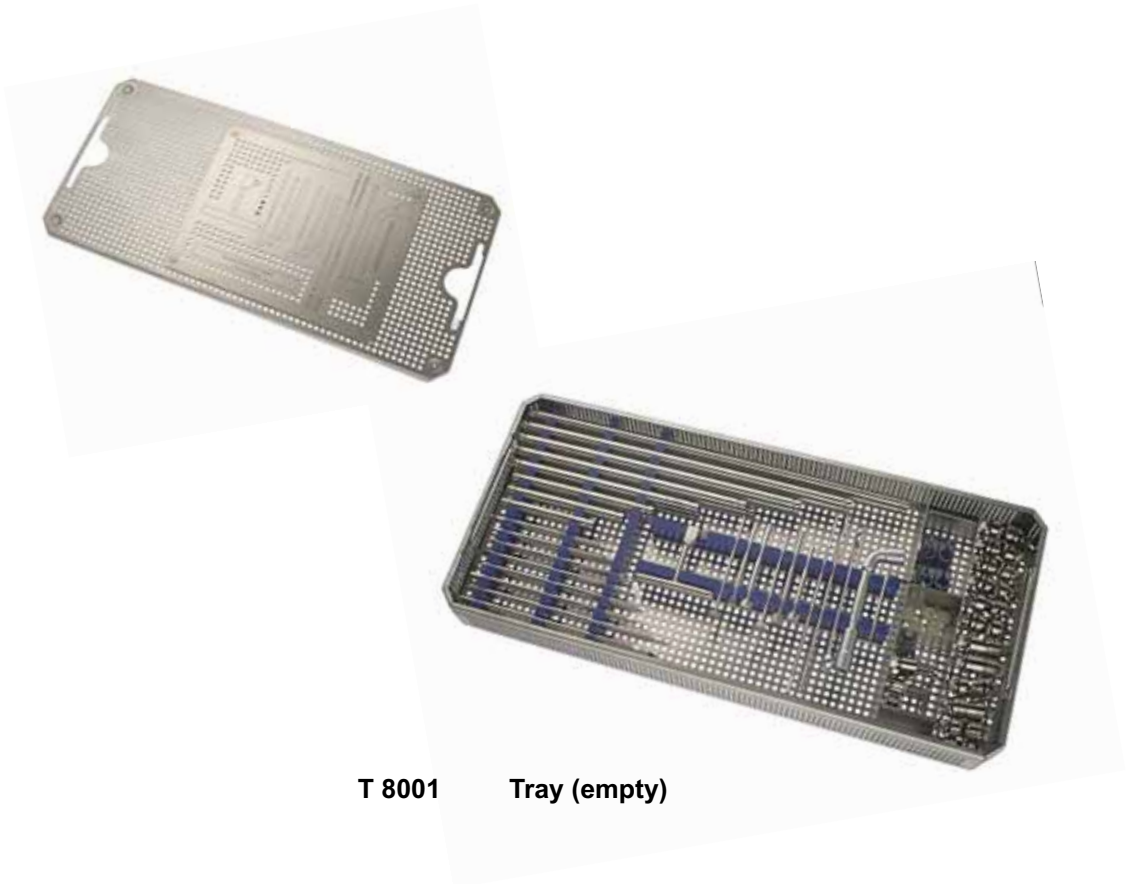
**Standard External Fixator**  
**Small External Fixator**  
**Hoffmann System**  
**Dynofix**  
**Treu Dynamic Fixator TITAN**  
**Hand-Finger Fixator**  
**Hybrid Fixator**





## Standard Set External Fixateur (Tubular System) in Graphic Case

Listing: T 8000 Grafic Case Standard Set External Fixateur (Tubular System)



T 8001 Tray (empty)



15-1010 Sterilization Container  
(recommended)



## Standard Set External Fixateur (Tubular System) in Graphic Case

**Listing: T 8000 Grafic Case Standard Set External Fixateur (Tubular System)**

**T 8001** Tray (empty)

<b>Cat.No.</b>		<b>Pcs. :</b>
9-023	Drill Bit Ø 3.5 mm , extra long	2
9-438	Combination Wrench with across flats 11 mm	1
8-0068	Simple T-Handle for Steinmann Pins and Schanz Screws Ø5.0 mm	1
8-0070	Socket Wrench with across flats 11mm 180mm long for threadet conical Bolts and External Fixateur	1
8-0072	Hexagonal Allen Key with across flats 3.5 mm	1
8-0092	Trocar with point Ø 3.5 mm short	1
8-0061	Drill Sleeve Ø 5.0 mm / Ø 3.5 mm short	1
8-0065	Drill Sleeve Ø 6.0 mm / Ø 5.0 mm short	1
8-0062	Trocar with point for Aiming Device Ø 3.5 mm long	1
8-0060	Drill Sleeve Ø 5.0 mm / Ø 3.5 mm long	1
8-0064	Drill Sleeve Ø 6.0 mm / Ø 5.0 mm long	1

<b>Cat.No.</b>	<b>Fixateur Components</b>	<b>Pcs. :</b>
8-0080	Open Compressor	2
8-0100	Tube Rod Ø 11 mm , 100 mm Length ( Steel )	1
8-0102	Tube Rod Ø 11 mm , 125 mm Length ( Steel )	1
8-0104	Tube Rod Ø 11 mm , 150 mm Length ( Steel )	2
8-0106	Tube Rod Ø 11 mm , 200 mm Length ( Steel )	2
8-0108	Tube Rod Ø 11 mm , 250 mm Length ( Steel )	2
8-0110	Tube Rod Ø 11 mm , 300 mm Length ( Steel )	2
8-0112	Tube Rod Ø 11 mm , 350 mm Length ( Steel )	2
8-0114	Tube Rod Ø 11 mm , 400 mm Length ( Steel )	2
8-0170	Plug for Tube Rods	10
8-0188	Open adjustable Clamp	12
8-0190	Ø 11 mm Tube-to Tube Clamp	2

### **Schanz Screws Ø 5.0 mm , Thread - Length 50 mm ( with Trocar Point and Triangular Shaft ) ( Steel Implants DIN ISO 5832-1 )**

<b>Cat.No.</b>		<b>Pcs. :</b>
8-1264	Ø 5.0 mm , Length 125 mm	6
8-1266	Ø 5.0 mm , Length 150 mm	6
8-1268	Ø 5.0 mm , Length 170 mm	6
8-1270	Ø 5.0 mm , Length 200 mm	6



# TREU = INSTRUMENTE



9-023 Drill Bit 3.5 mm extra long  
9-027 Drill Bit 4.5 mm extra long



9-438 Combination Wrench with across flats 11 mm



8-0068 Simple T-Handle for Steinmann Pin insertion



8-0070 Socket Wrench with across flats 11 mm  
180 mm long, for threaded conical bolts  
and external fixateur



8-0072 Hexagonal Allen Key



# TREU = INSTRUMENTE



**8-0092** Trocar with point ø 3.5 mm short



**8-0062** Trocar for aiming device 3.5 long



**8-0061** Drill Sleeve 5.0 / 3.5 mm short



**8-0060** Drill Sleeve 5.0 / 3.5 mm long



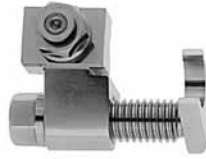
**8-0065** Drill Sleeve 6.0 / 5.0 mm short



**8-0064** Drill Sleeve 6.0 / 5.0 mm long



# TREU = INSTRUMENTE



**8-0080** Open Compressor



**8-0084** Bar with hook and sliding drill sleeve  $\varnothing$  3.5 mm, 80 mm long



**8-0090** Check Tube for Device Alignment



	Tubes 11 mm $\varnothing$		Carbon fiber rods 11 mm $\varnothing$
<b>8-0100</b>	100 mm length	<b>8-0140</b>	100 length
<b>8-0102</b>	125 mm length	<b>8-0142</b>	125 length
<b>8-0104</b>	150 mm length	<b>8-0144</b>	150 length
<b>8-0106</b>	200 mm length	<b>8-0146</b>	200 length
<b>8-0108</b>	250 mm length	<b>8-0148</b>	250 length
<b>8-0110</b>	300 mm length	<b>8-0150</b>	300 length
<b>8-0112</b>	350 mm length	<b>8-0152</b>	350 length
<b>8-0114</b>	400 mm length	<b>8-0154</b>	400 length
<b>8-0116</b>	450 mm length	<b>8-0156</b>	450 length
<b>8-0118</b>	500 mm length	<b>8-0158</b>	500 length
<b>8-0120</b>	550 mm length	<b>8-0160</b>	550 length
<b>8-0122</b>	600 mm length	<b>8-0162</b>	600 length



**8-0170** Plug for Tubes



# TREU - INSTRUMENTE



**8-0180** Single Adjustable Clamp



**8-0182** Single Open Clamp  
with one nut for tightening both tube and Steinmann Pin  
can also be mounted on tubes after External Fixator is assembled  
i.e. for three-dimensional fixation



**8-0186** Universal Joint for two tubes  
for connecting two tubes



**8-0188** Open adjustable clamp



**8-0190** 11 mm Tube-to Tube Clamp



**8-0194** Universal Tube, compatible



**8-0198** Protective Caps for Steinmann pins  
5.0 mm dia.





# TREU = INSTRUMENTE

## Small External Fixateur for Hand and Forearm



<b>T 806</b>	Small External Fixateur for Hand and Forearm	
<b>15-2026</b>	Small Aluminium Case, perforated 300 x 140 x 100 mm	
<b>15-2150</b>	Trays for small instruments (2 pieces)	
<b>9-014</b>	Drill Bit 2.0 mm	2 pieces
<b>9-016</b>	Drill Bit 2.5 mm	2 pieces
<b>8-0934</b>	Combination Wrench width across flats 7 mm	1 piece
<b>8-0246</b>	Socket Wrench 7 mm	1 piece
<b>8-0248</b>	Drill Sleeve complete	1 piece
<b>8-0210 -</b>	Connecting Bars	24 pieces
	2 each: 60 - 160 - 180 -200 mm	
<b>8-0217</b>	4 each: 80 - 100 - 120 - 140 mm	
<b>8-0240</b>	Clamps Open	4 pieces
<b>8-0242</b>	Clamps	12 pieces
<b>8-0256</b>	Springloaded Nut	2 pieces
<b>8-0255</b>	Schanz Screw 4.0	4 pieces
<b>7-260</b>	Kirschner Wire 1.6 x 150 mm	10 pieces
<b>7-264</b>	Kirschner Wire 2.0 x 150 mm	10 pieces
<b>7-315</b>	Kirschner Wire with Thread 15 mm, 2.5 x 150 mm	10 pieces



# TREU = INSTRUMENTE

## Small External Fixater Set



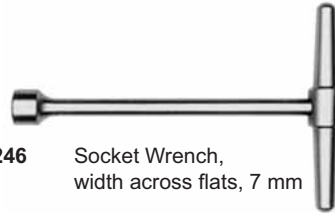
**9-014** Dril Bit 2.0 mm  
**9-016** Dril Bit 2.5 mm



**8-0934** Combination Wrench,  
width across flats, 7 mm



**8-0248** Drill Sleeve complete



**8-0246** Socket Wrench,  
width across flats, 7 mm



**8-0250** Drill Sleeve 5.0 / 4.0 mm



**8-0251** Drill Sleeve 4.0 / 2.7 mm



**8-0252** Trokar,  $\varnothing$  2.7 mm



Connecting Bars, 4.0 mm diam.  
stainless steel

<b>8-0210</b>	60 mm
<b>8-0211</b>	80 mm
<b>8-0212</b>	100 mm
<b>8-0213</b>	120 mm
<b>8-0214</b>	140 mm
<b>8-0215</b>	160 mm
<b>8-0216</b>	180 mm
<b>8-0217</b>	200 mm



**8-0240** Clamp Open  
2.5 - 5.0 mm  $\varnothing$



**8-0242** Clamp 2.5 - 5.0 mm  $\varnothing$



**8-0254** Schanz Screws  
 $\varnothing$  4.0 / 3.0 mm - 80 mm



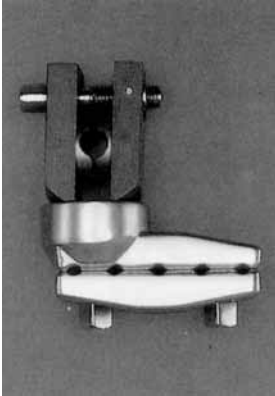
**8-0255** Schanz Screws  
 $\varnothing$  4.0 - 100 mm



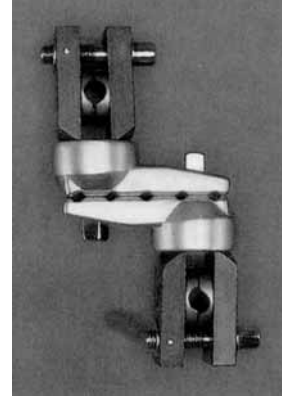
**8-0256** Springloaded Nut



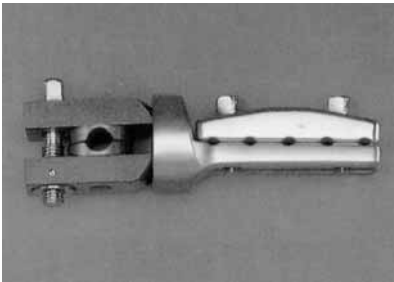
## External Fixator - Hofmann System



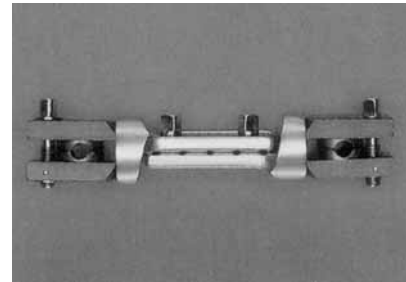
**8-0800**  
Universal Joint Clamp for  
5 pins and for connecting  
rod



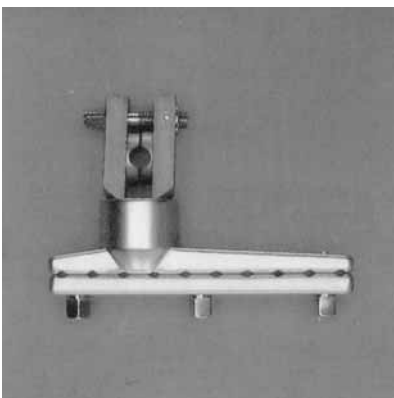
**8-0802**  
Universal Joint Clamp for  
5 pins and 2 connecting  
rods / diagonal



**8-0804**  
Universal Joint Clamp for 5 pins  
and for 1 connecting rod



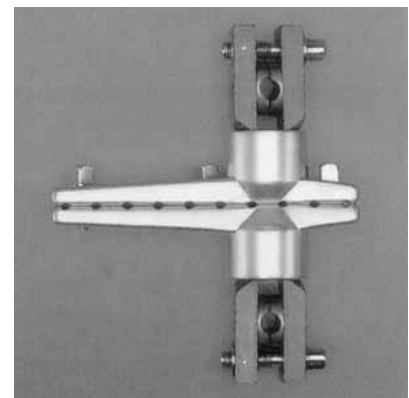
**8-0806**  
Universal Joint clamp for 5 pins  
and for 2 connecting rods / parallel



**8-0810**  
Universal Joint Clamp for 10 pins  
for 1 connecting rod



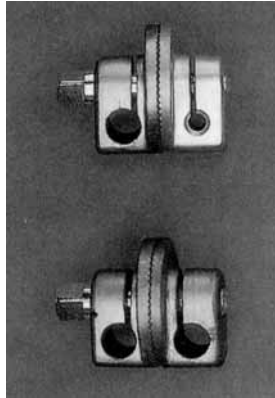
**8-0812**  
Universal Joint Clamp for up to 10  
pins for 2 connecting rods / diagonal



**8-0814**  
Universal Joint Clamp for up to 10  
pins for 2 connecting rods / diagonal



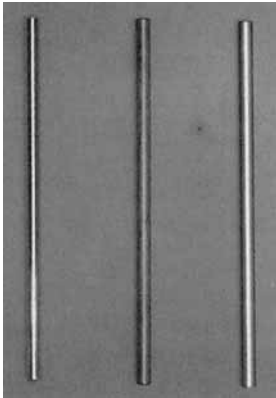
# TREU = INSTRUMENTE



**8-0820**  
Articulation Coupling  
8 mm/5 mm

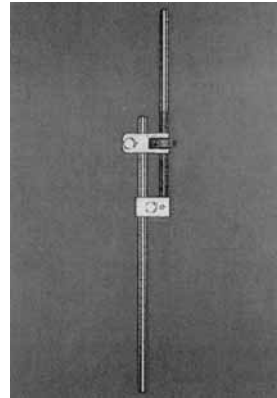
**8-0821**  
Rod Pin 8 mm / 4 mm

**8-0822**  
Articulation Coupling  
rod/rod 8 mm/8mm



Plain Connecting Rods dia. 8 mm  
stainless

L = mm	steel
150	<b>8-0830</b>
200	<b>8-0832</b>
250	<b>8-0834</b>
300	<b>8-0836</b>
350	<b>8-0838</b>
400	<b>8-0840</b>
450	<b>8-0842</b>
500	<b>8-0844</b>



Adjustable Connecting Rod

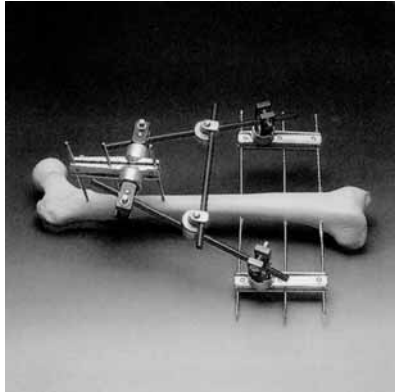
L = mm      Cat. No.  
350          **8-0870**

Length can be varied by use of Connecting Rods



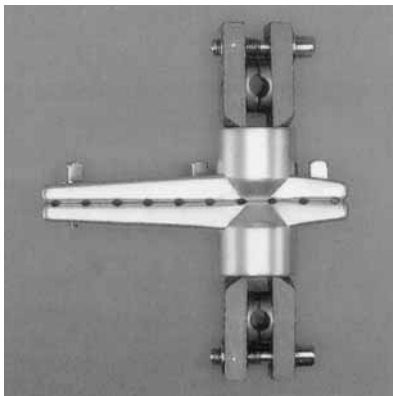
# TREU - INSTRUMENTE

## 8-0801 Simple Triangular Frame for Femur

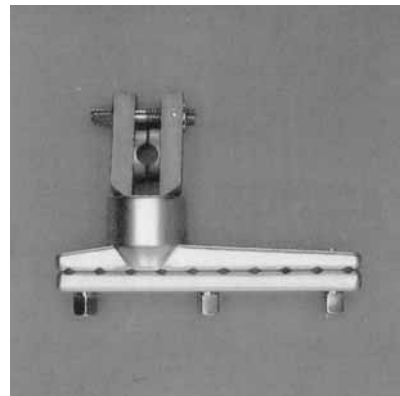


- 8-0810 2 Universal Clamps
- 8-0814 1 Universal Clamps
- 8-0820 2 Articulation Couplings 8 x 8 mm
- 8-0830 1 Connecting Rod 8 mm 150 mm
- 8-0836 2 Connecting Rods 8 mm 300 mm
- 8-1228 3 Schanz Screws 4.0 x 170 mm
- 8-1160 3 Steinmann Pins with centre thread 4.0 mm 4.0 x 200 mm

Needed components:



**8-0814**  
Universal Joint Clamps for 10 pins  
for 1 Connecting Rod

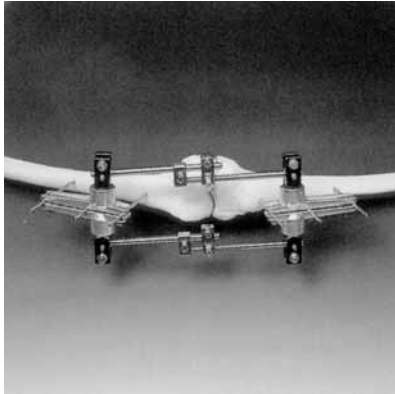


**8-0810**  
Universal Joint Clamps for 10 pins  
for 1 Connecting Rod / diagonal

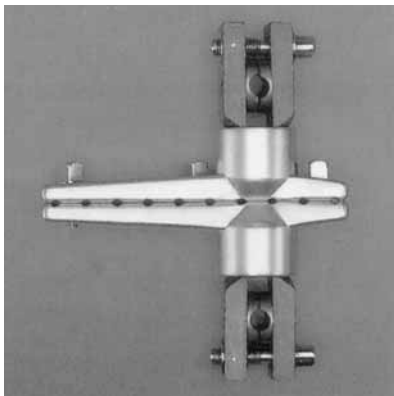


# TREU = INSTRUMENTE

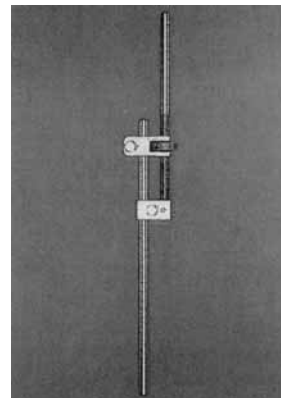
## 8-0803 Unilateral Double Arthrodesis Frame



- 8-0814 2 Universal Joint Clamps
- 8-0870 2 Adjustable Connecting Rods
- 8-1224 6 Schanz Screws 4.0 x 130 mm



**8-0814**  
Universal Joint Clamp for  
10 pins and 3 Connecting Rods

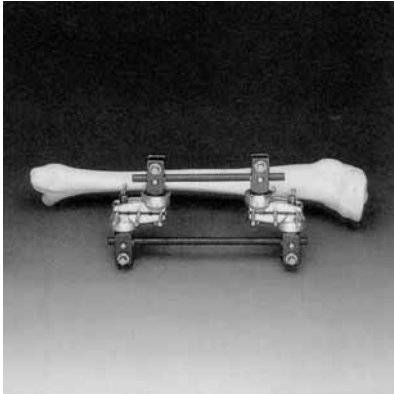


**8-0870**  
Adjustable Connecting Rod

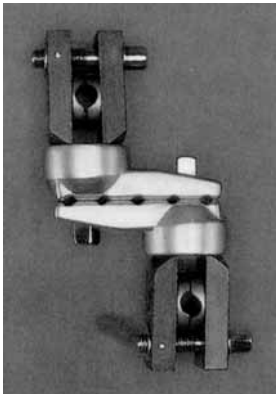


# TREU - INSTRUMENTE

## 8-0805 Universal Double Frame for Tibia



- 8-0805** Universal Double Frame for Tibia  
components needed:
- 8-0802** 2 Universal Clamps
  - 8-0830** 1 Connecting Rod 150 mm
  - 8-0832** 1 Connecting Rod 200 mm
  - 8-1224** 6 Schanz Screws 4.0 x 130 mm

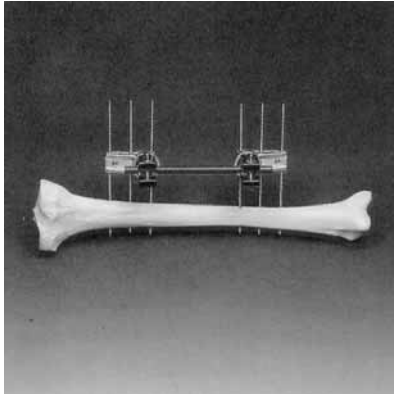


- 8-0802** Universal Joint Clamp for 5 Pins and  
2 Connecting Rods/diagonal

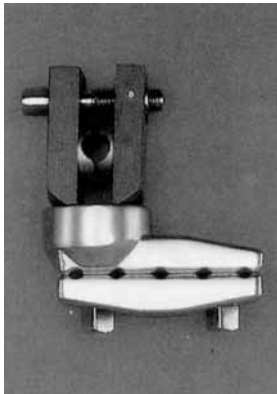


# TREU = INSTRUMENTE

## 8-0807 Simple Unilateral Frame for Tibia Elastic Fixation



- 8-0807** Simple Unilateral Frame for Tibia Elastic Fixation  
components needed
- 8-0800** 2 Universal Joint Clamps
- 8-0830** 1 Connecting Rod 150 mm
- 8-1224** 6 Schanz Screws 4.0 x 130 mm



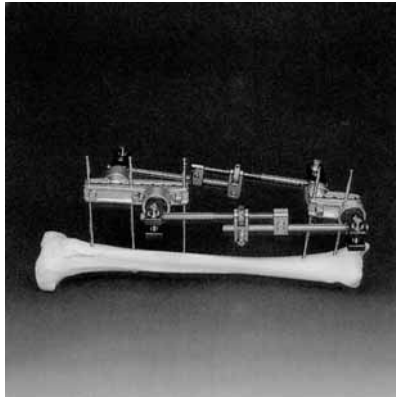
- 8-0800** Universal Joint Clamp  
for 5 Pins and for  
1 Connecting Rod



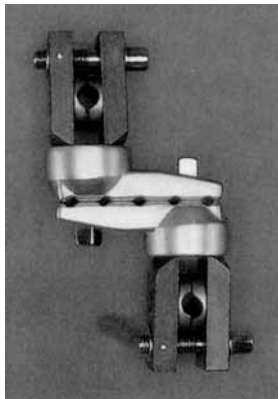


# TREU = INSTRUMENTE

## 8-0809 Unilateral Double Frame for Tibia (Lower 3rd Fractures)



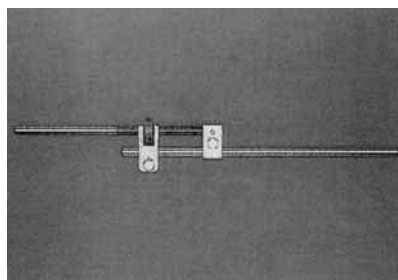
- 8-0809** Unilateral Double Frame for Tibia (Lower 3rd Fractures)
- 8-0802** 1 Universal Joint Clamp
- 8-0812** 1 Universal Joint Clamp
- 8-0870** 2 Adjustable Connecting Rods
- 8-1228** 6 Schanz Screws 4.0 x 170 mm



**8-0802**  
Universal Joint Clamp for 5 Pins  
and 2 Connecting Rods / diagonal



**8-0812**  
Universal Joint Clamp for up to 10 Pins



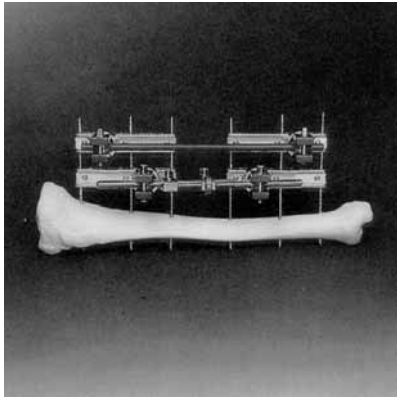
Adjustable Connecting Rod  
L = 350 mm    Cat. No.  
350            **8-0870**

Length can be varied by use of  
Connecting Rod

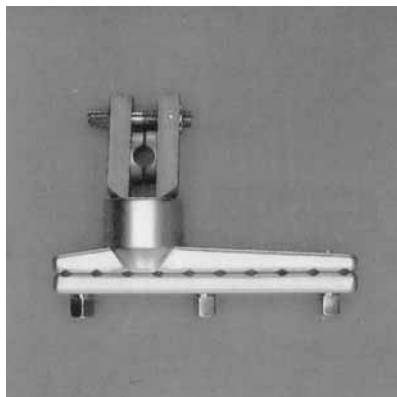


# TREU - INSTRUMENTE

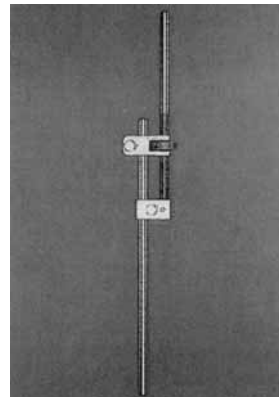
## 8-0811 Universal Double Frame for Tibia



- 8-0811** Unilateral Double Frame for Tibia  
components needed:  
**8-0810** 4 Universal Joint Clamps  
**8-0834** 1 Connecting Rod 250 mm  
**8-0870** Adjustable Connecting Rod



**8-0810** Universal Joint Clamp



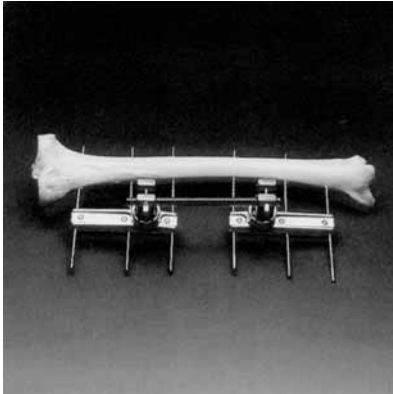
Adjustable Connecting Rod  
L = 350 mm    Cat. No.  
350            **8-0870**

Length can be varied by use of  
Connecting Rods

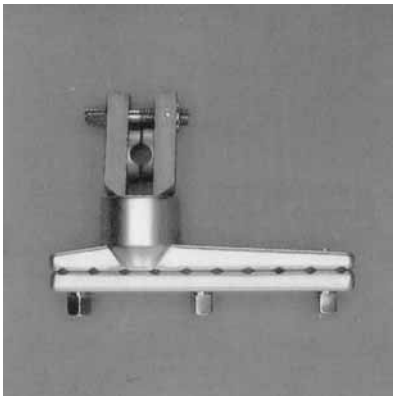


# TREU = INSTRUMENTE

## 8-0813 Simple Unilateral Frame Elastic Fixation



- 8-0813** Simple Unilateral Frame for Tibia (Elastic Fixation)  
components needed:  
**8-0810** 2 Universal Joint Clamps  
**8-0832** 1 Connecting Rod 200 mm  
**8-1228** 6 Schanz Screws 4.0 x 170 mm

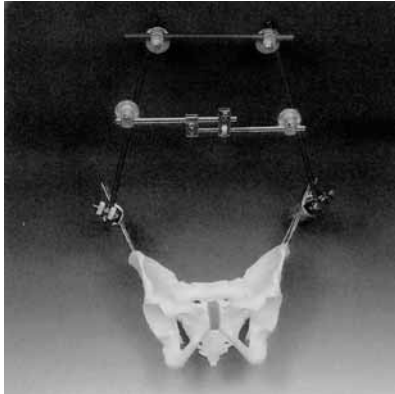


- 8-0810**  
Universal Joint Clamp for 10 Pins  
for 1 Connecting Rod

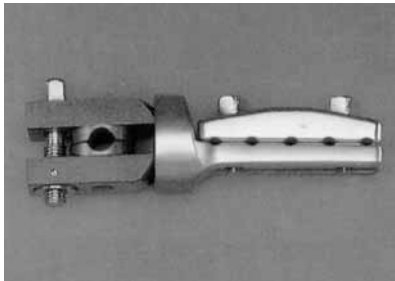


# TREU = INSTRUMENTE

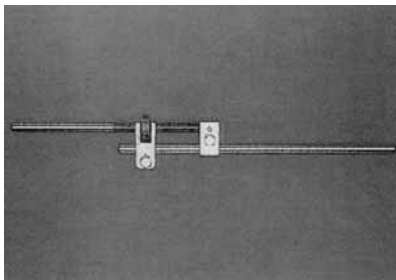
## 8-0815 Trapezoidal Frame for Pelvis



- 8-0815** Trapezoidal Frame for Pelvis  
components needed:
- 8-0804** 2 Universal Joint Clamps
  - 8-0822** 4 Articulation Clamps
  - 8-0832** 1 Connecting Rod 200 mm
  - 8-0836** 2 Connecting Rods 300 mm
  - 8-0870** 1 Adjustable Connecting Rod
  - 8-1228** 3 Schanze Screws 4.0 x 170 mm



- 8-0804**  
Universal Joint Clamp for 5 pins  
and for 1 Connecting Rod



Adjustable Connecting Rod

L = mm      Cat. No.  
350          **8-0870**

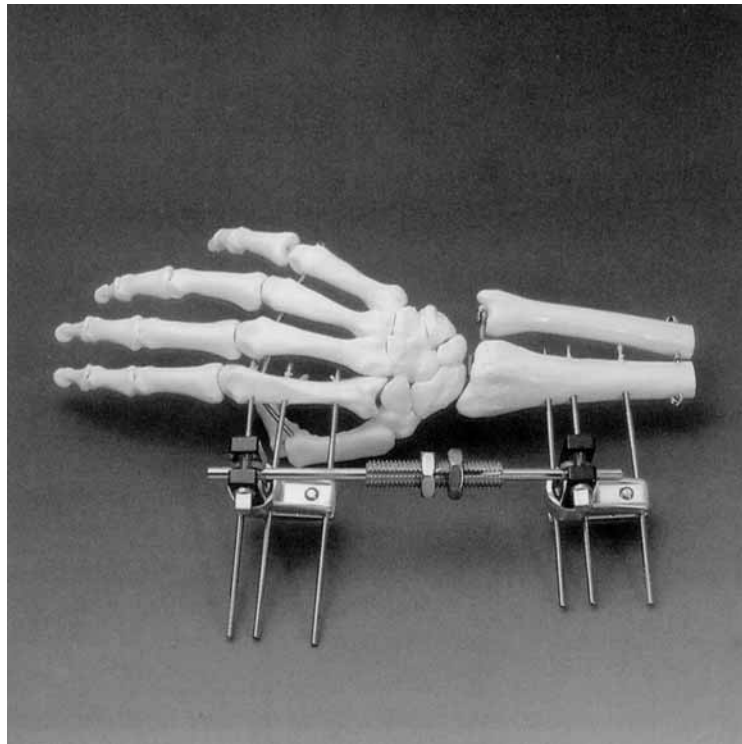


- 8-0822**  
Articulation Coupling  
8 mm / 8 mm



# TREU - INSTRUMENTE

## Midi - Fixateur - Externe



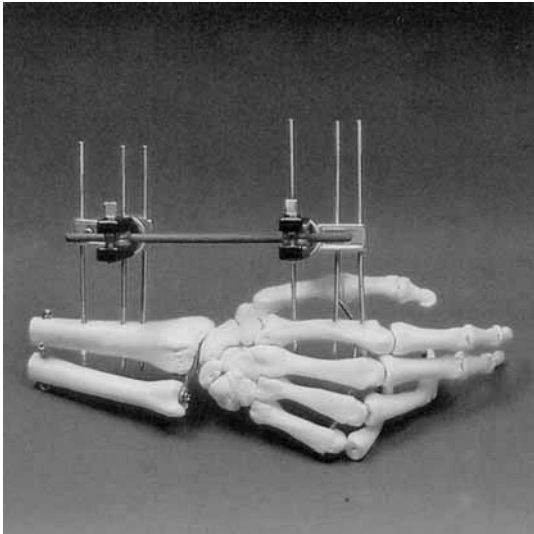
### Midi - Fixateur

The forearm assembly requires smaller dimensions of components. In our hands the midi - version has been highly efficient in the management of distal radius fractures presenting the tendency to redislocate regardless of their original type. Lower weight and price compared to other systems together with ease and versatility of handling has made the midifixateur indispensable in our unit.

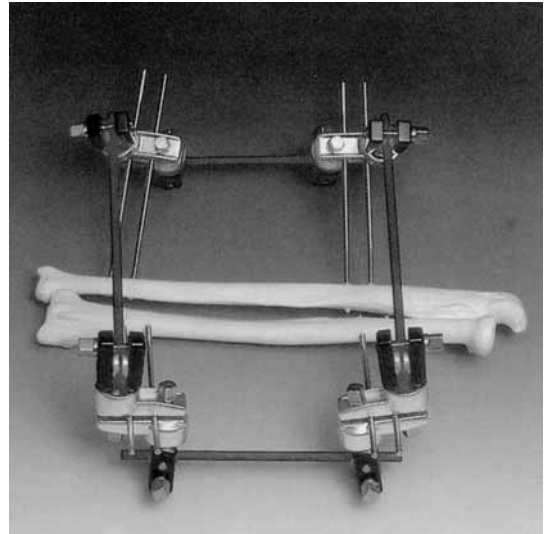
(Klinikum Villingen-Schwenningen, PD Dr. H. Henkemeyer)



# TREU = INSTRUMENTE



**8-0817** Simple Distal Radius Frame  
**8-0900** 2 Universal Joint Clamps  
**8-0912** 2 Connecting Rods 150 mm  
**8-1202** 6 Schanz Screws 3.0 x 80 mm



**8-0819** Forearm Frame  
**8-0902** 4 Universal Joint Clamps  
**8-0912** 2 Connecting Rods 150 mm  
**8-0914** 2 Connecting Rods 200 mm  
**8-1202** 8 Schanz Screws 3.0 x 80 mm



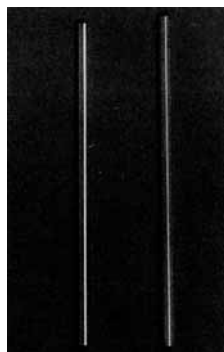
**8-0900**  
 Universal Joint Clamp  
 for 4 pins and for 1  
 Connecting Rod



**8-0902**  
 Universal Joint Clamp  
 for 4 pins and 2  
 Connecting Rods / diagonal



**8-0904**  
 Adjustable Connecting  
 Rod  $\varnothing$  5 mm



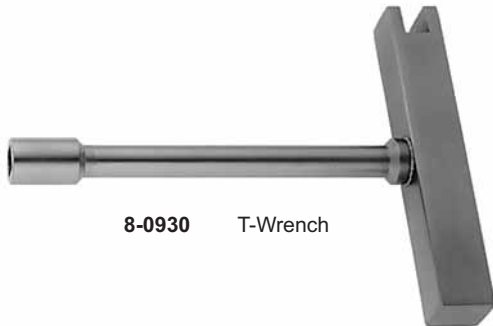
## Plain Connecting Rods $\varnothing$ 5 mm

L = mm	steel	carbon
100	<b>8-0910</b>	<b>8-0920</b>
150	<b>8-0912</b>	<b>8-0922</b>
200	<b>8-0914</b>	<b>8-0924</b>
250	<b>8-0916</b>	<b>8-0926</b>
300	<b>8-0918</b>	<b>8-0928</b>

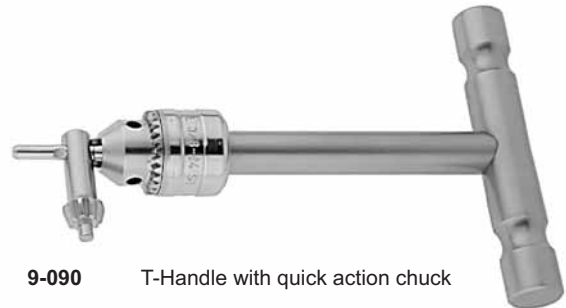


# TREU = INSTRUMENTE

## Instruments for Maxi and Midi External Fixation



8-0930 T-Wrench



9-090 T-Handle with quick action chuck



8-0934 Spanner width 7 mm



8-0936 Drill Brace



8-0942 Drill Sleeve for 2.5 mm Twist Drill



8-0944 Drill Sleeve for 3.2 mm Twist Drill  
8-0946 Drill Sleeve for 4.0 mm Twist Drill  
8-0948 Drill Sleeve for 4.5 mm Twist Drill



# TREU = INSTRUMENTE

## Instruments for Maxi and Midi External Fixation



**8-0954** Maxi External Fixation Pin-Guide



**8-0956** Midi External Fixation Pin-Guide



- 8-0947** Twist Drill d=2.5 mm for 3 mm pins
- 8-0951** Twist Drill d=3.2 mm for 4 mm pins
- 8-0955** Twist Drill d=4.0 mm for 5 mm pins
- 8-0957** Twist Drill d=4.5 mm for 6 mm pins



- 8-0960** Guide Sleeve for 4 mm pins
- 8-0962** Guide Sleeve for 5 mm pins



**8-0870** Adjustable Connecting Rod



- 8-0970** Stop clip 5 mm
- 8-0972** Stop clip 8 mm



**8-0904** Adjustable Connecting Rod ø 5 mm



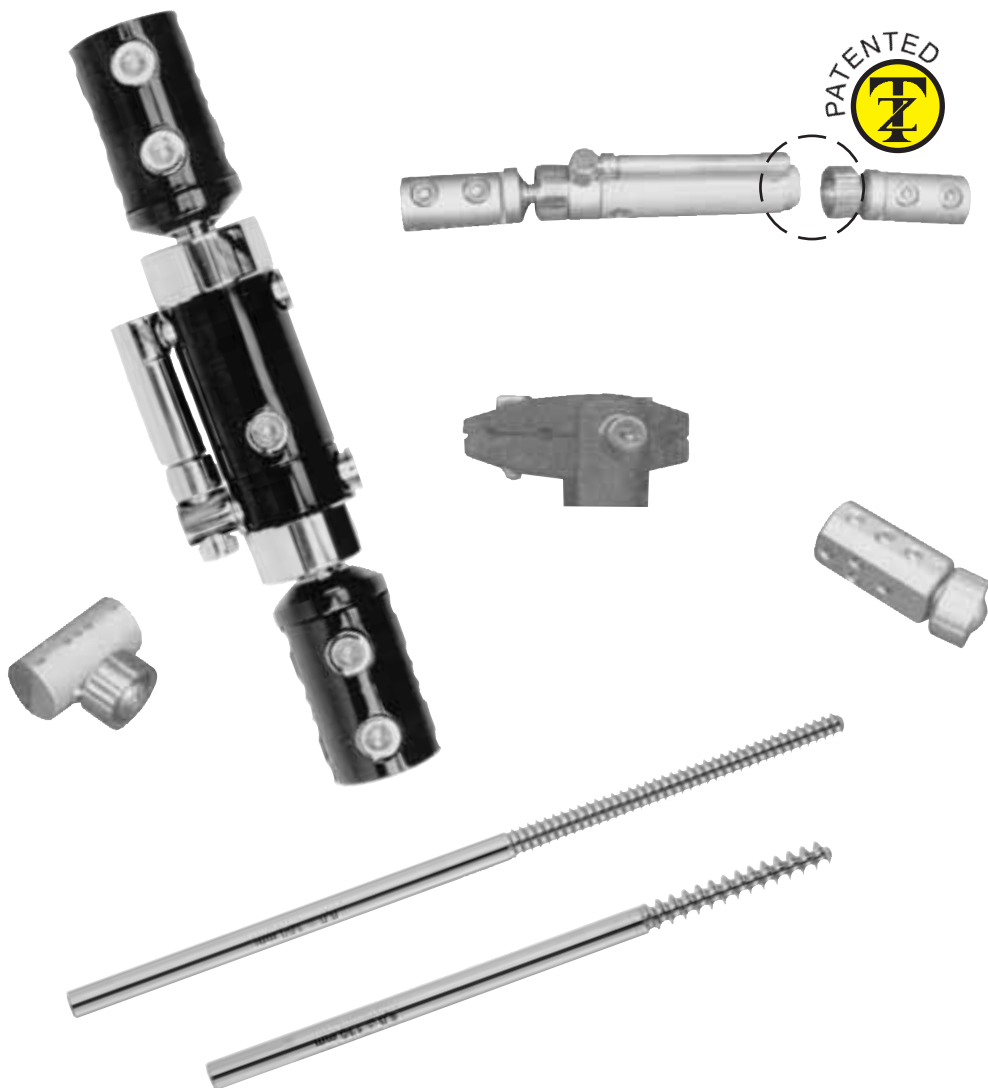
**4-184** Applying Forceps





# TREU = INSTRUMENTE

## ORTHO DYN0 - FIX EXTERNAL FIXATEURS MODUL - SYSTEM



Rev: 260805



# TREU = INSTRUMENTE



# TREU = INSTRUMENTE

## External Fixateur ORTHO DYNO FIX for Femur and Tibia

Material: Special aluminium alloys  
Type: Dynamic Axial, Long, Standard, Short  
Move angle: 50°  
Diameter: 30 mm



**8-0406**  
135° Clamp



**8-0408**  
T Clamp

Cat. No.:	Type	Lenght	Weight gr	Lengtening
<b>8-0404</b>	Short	230	600	25
<b>8-0402</b>	Standard	250	640	45
<b>8-0400</b>	Long	280	700	65



# TREU - INSTRUMENTE

PILON External Fixateur ORTHO DYNO FIX



**8-0414**  
Pilon Clamp with standard fixator

Cat. No.:	Type	Lenght	Weight gr
<b>8-0412</b>	Standard	250	640



# TREU = INSTRUMENTE

TREU Limb Lengthener Fixateur  
Femur and Tibia  
DINO-FIX



Cat. No.:	Type	Lenght mm	Weight gr	Lengtening
<b>8-0430</b>	Long	230	540	80
<b>8-0432</b>	Standard	200	480	60
<b>8-0434</b>	Short	180	420	50



# TREU = INSTRUMENTE

## LIMB Reconstruction Fixateur for Femur and Tibia **DINO-Fix**



**8-0440**  
Short Model  
200 mm long with 2 clamps



**8-0442**  
Standard Model  
250 mm long with 3 clamps



**8-0444**  
Long Model  
300 mm long with 3 clamps

Cat. No.:	Type	Lenght mm	Weight gr
<b>8-0440</b>	Short	200	410
<b>8-0442</b>	Standard	250	480
<b>8-0444</b>	Long	300	560



# TREU = INSTRUMENTE

External Fixateur for Pelvic



Pelvic External Fixator with Clamp	
Cat. No.:	Model
<b>8-0450</b>	Short
<b>8-0452</b>	Standard
<b>8-0454</b>	Long

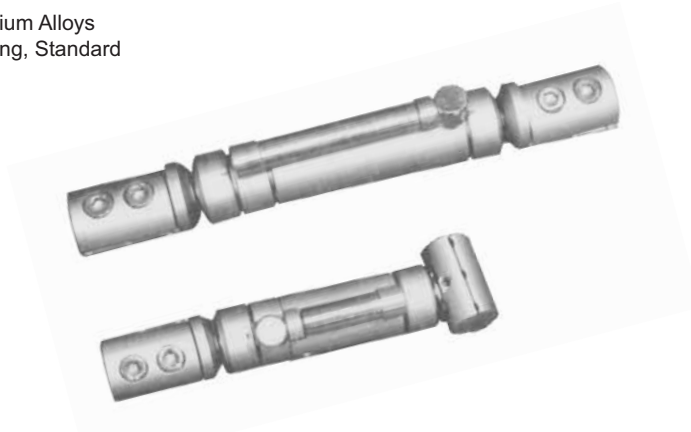
Rod and Clamp Fixateur Multipurpose



Rod and Clamp Fixator Multi-purpose	
Cat. No.:	Model
<b>8-0460</b>	Short
<b>8-0462</b>	Standard
<b>8-0464</b>	Long
<b>8-0466</b>	Small

Axial Fixator for Humerus and Small Tibia

Material: Special Aluminium Alloys  
 Type: Dynamic Axial, Long, Standard  
 Move Angle: 45°  
 Diameter: 25 mm



**8-0474**  
T Clamp

Cat. No.	Type	Length mm	Lengthening mm	Weight gr
<b>8-0470</b>	Standard	170	25	300
<b>8-0472</b>	Long	195	46	340

PENING External Fixator for Hand - Wrist and Radius



Cat. No.	Type
<b>8-0482</b>	Standard
<b>8-0484</b>	Long



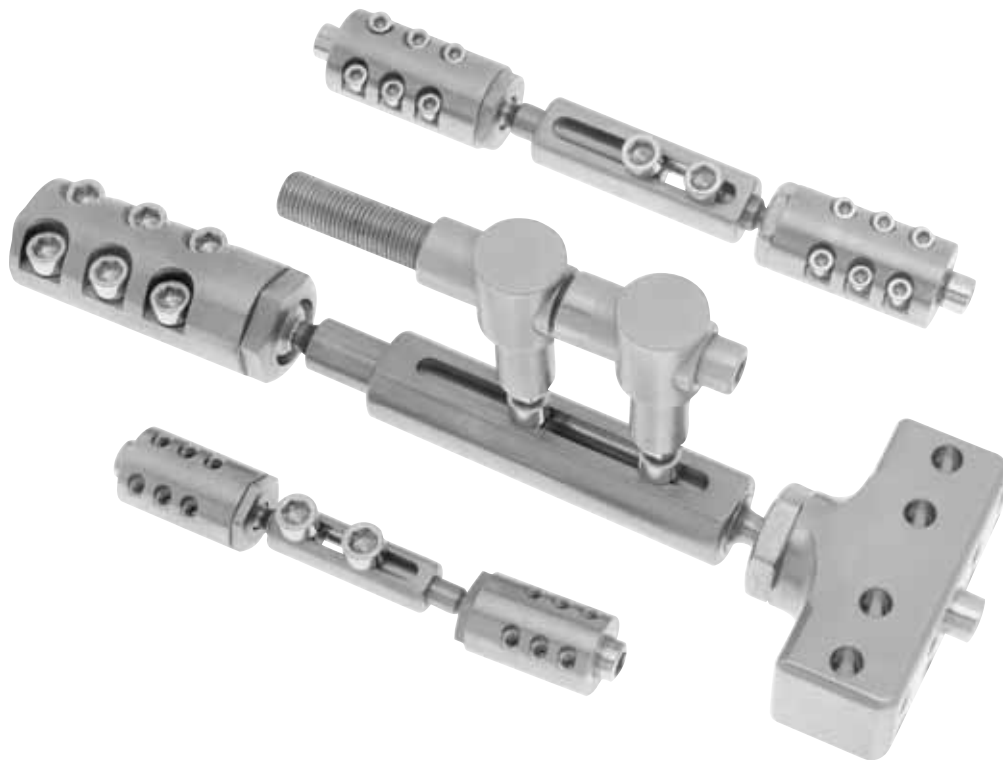
# TREU = INSTRUMENTE





# TREU - INSTRUMENTE

## TREU - DYNAMIC FIXATEUR EXTERNE MODULAR SYSTEM



Rev: 030605



# TREU = INSTRUMENTE

## ALLE MODELLE AUS „TITAN“ MATERIAL

1. extrem leichtes Gewicht
2. hohe Belastbarkeit

## ALL TYPES MADE OF TITANIUM

1. extremely light weight
2. high stability under load



**8-0300 TREU - Dynamic Fixateur großes Modell**  
Dynamic TREU Fixateur Externe large type



**8-0302 TREU - Dynamic Fixateur mittleres Modell**  
Dynamic TREU Fixateur Externe medium type



**8-0304 TREU - Dynamic Fixateur kleines Modell**  
Dynamic TREU Fixateur Externe small type



# TREU - INSTRUMENTE



**8-0312 Distraktor für Fixateure**  
**Distractor for Fixateur Externe**



**8-0320 T - Backe**  
**T - Jaw**



# TREU = INSTRUMENTE



- 8-0330 Maulschlüssel für TREU - Fixateur 8-0300**  
Open End Wrench for TREU Fixateur Externe 8-0300
- 8-0332 Maulschlüssel für TREU - Fixateur 8-0302**  
Open End Wrench for TREU Fixateur Externe 8-0302
- 8-0334 Maulschlüssel für TREU - Fixateur 8-0304**  
Open End Wrench for TREU Fixateur Externe 8-0304



- 8-0338 Imbusschlüssel 5,0 mm für TREU - Fixateur 8-0300 / 8-0302 / 8-0304 / 8-0320**  
Allen Key 5,0 mm for TREU Fixateur Externe 8-0300 / 8-0302 / 8-0304 / 8-0320
- 8-0339 Imbusschlüssel 4,0 mm für T - Backe 8-0320**  
Allen Key 4,0 mm for T - Jaw 8-0320
- 8-0340 Imbusschlüssel 2,5 mm für TREU - Fixateur 8-0302**  
Allen Key 2,5 mm for TREU Fixateur Externe 8-0302
- 8-0342 Imbusschlüssel 1,5 mm für TREU - Fixateur 8-0304**  
Allen Key 1,5 mm for TREU Fixateur Externe 8-0304



# TREU = INSTRUMENTE



- 8-0350 Bohrbuchse 6/5 mm für TREU - Fixateur 8-0300**  
**Drill Sleeve 6/5 mm for TREU Fixateur Externe 8-0300**
- 8-0352 Bohrbuchse 5/4 mm für TREU - Fixateur 8-0300 und 8-0302**  
**Drill Sleeve 5/4 mm for TREU Fixateur Externe 8-0300 and 8-0302**
- 8-0354 Bohrbuchse 4/3 mm für TREU - Fixateur 8-0304**  
**Drill Sleeve 4/3 mm for TREU Fixateur Externe 8-0304**



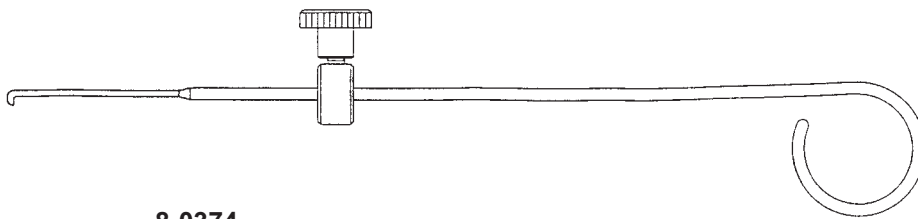
- 8-0360 Trokar für Bohrbuchse 6/5 mm**  
**Trocar for Drill Sleeve 6/5 mm**
- 8-0362 Trokar für Bohrbuchse 5/4 mm**  
**Trocar for Drill Sleeve 5/4 mm**
- 8-0364 Trokar für Bohrbuchse 4/3 mm**  
**Trocar for Drill Sleeve 4/3 mm**



# TREU - INSTRUMENTE



**8-0370 Kardanschlüssel für TREU - Fixateure und Distraktor**  
**Socket Wrench for TREU Fixateur Externe and Distractor**



**8-0374**  
**Depth Gauge for Schanz Scews**  
**Tiefmesser für Schanze Schrauben**



# TREU = INSTRUMENTE

## OPERATIONSANLEITUNG

## OPERATING INSTRUCTIONS

### Bild 1

Der Fixateur dient als Bohrschablone. Um eine eventuelle Distraction oder Kompression zu ermöglichen, wird der Fixateur auf eine mittlere Länge eingestellt (gerade Position). Bohrbuchse in die beiden endständigen Löcher einbringen und mit beiden Imbusschrauben leicht festziehen.

### Picture 1

Fixateur Externe serves as well as drill template. To obtain the requested distraction or compression the Fixateur Externe is adjusted to medium length in straight position. Introduce drill sleeve into distal hole and fix slightly with screws.

### Bild 2

Fixateur mit beiden Bohrhülsen auf den Knochen führen. Selbstschneidende Schanz'sche Schrauben (keine zusätzliche Bohrung erforderlich) über die Bohrbuchse einbringen. In gleiche Weise werden die anderen Schanz - Schrauben eingebracht und angezogen.  
Achtung: Bei Verwendung von Schanz'sche Schrauben 8-1200 bis 8-1272 Vorbohren erforderlich.

### Picture 2

Place Fixateur Externe with both drill sleeves on bone. Introduce self - cutting Schanz screws through drill sleeves (no additional drilling requested). Introduce and fix further Schanz screws in the same way.  
Caution: When using Schanz screws ref. 8-1200 to 8-1272 pre - drilling is necessary.

### Bild 3

Durch Lösen der Kugelgelenke wird die endgültige Feinreposition der Fraktur unter Bildwandlerkontrolle durchgeführt. Anschliessend Kugelgelenke und Schrauben fest anziehen.

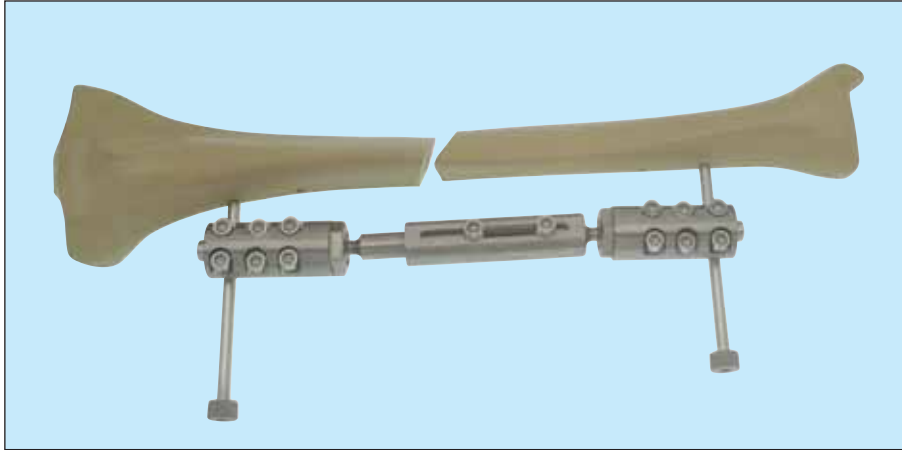
### Picture 3

Final fracture reposition is achieved under X - Ray control by loosening the ball joints. Fix tightly ball joints and screws.



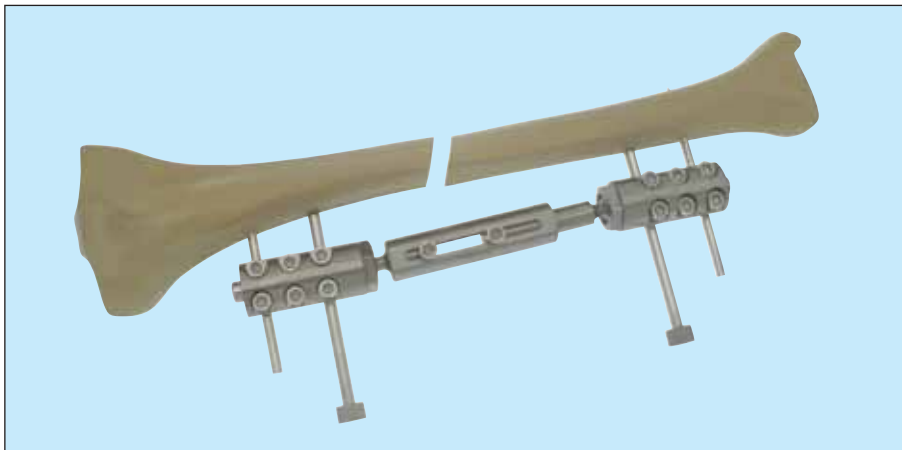
# TREU - INSTRUMENTE

**Bild 1**



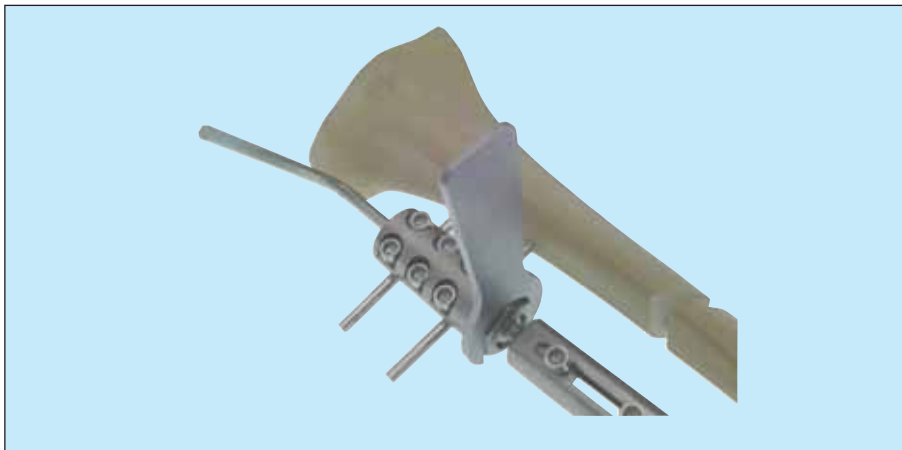
**Picture 1**

**Bild 2**



**Picture 2**

**Bild 3**



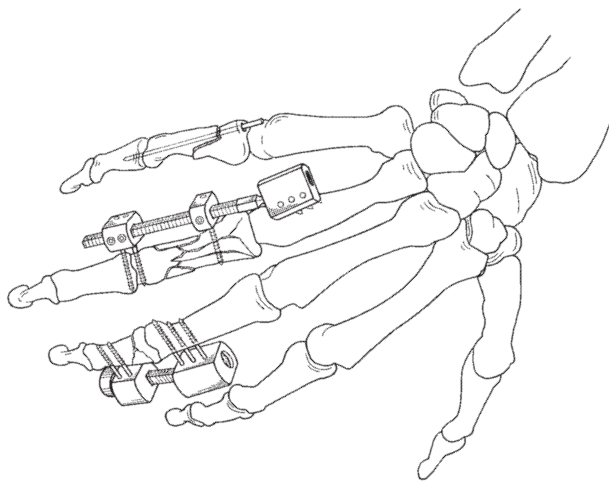
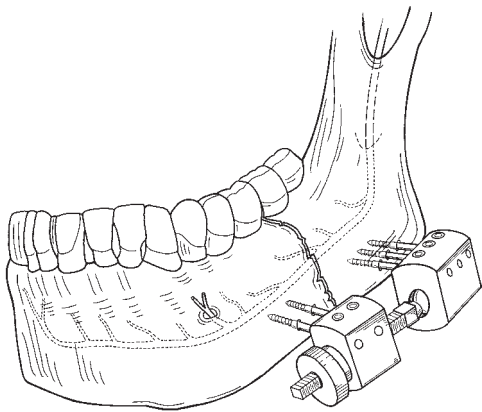
**Picture 3**





# TREU - INSTRUMENTE

## HAND / FINGER AND MANDIBULA FIXATOR HAND / FINGER UND MANDIBULA FIXATEUR



Rev: 100605



# TREU = INSTRUMENTE

## Operationsanleitung TREUFIX und Produktbeschreibung

### Einführung

Schwere Handverletzungen stellen für den Chirurgen eine große Herausforderung dar. Es ist das Ziel, möglichst viel an Funktion in möglichst kurzer Zeit wiederherzustellen. Der Hand - Fixateur **TREUFIX** bietet ein ungewöhnlich vielseitiges und kostengünstiges System zur Behandlung von komplexen und offenen Frakturen sowie von Defekten an den Knochen der Hand und der Mandibula.

### Produktbeschreibung

Der Hand - Fixateur **TREUFIX** besteht aus zwei oder mehreren Titankörpern zur Fixation der Gewindeschrauben. Die Titankörper werden auf Spindeln entsprechend der gewünschten Länge justiert. **TREUFIX I, II** und **III** erlauben die Sekundärdistraktion oder Kompression. Gelenke können fixiert oder zum Funktionstraining freigegeben werden. **TREUFIX III** ist speziell schmal gehalten und deshalb besonders für die interdigitale Anlage geeignet.

An dem **TREUFIX** sind Spitzen und scharfe Kanten vermieden worden. Aus diesem Grund erfolgt keine Irritation von Gewebe und keine Beschädigung der Kleidung.

### Präoperative Planung

Eine sorgfältige präoperative Planung zur optimalen Anlage des **TREUFIX** ist erforderlich. Eine Verletzung von Nerven und Gefäßen ist zu vermeiden. Wenn die Bewegung von Gelenken freigegeben werden soll, muß das Gelenk des **TREUFIX** seitlich positioniert werden. Falls erforderlich, ist eine Knochen transplantation vorzubereiten. Die Patienten sind präoperativ über die Dauer und die Behandlungen sowie über evtl. Komplikationsmöglichkeiten aufzuklären.

Zur Operation ist in der Regel ein Röntgenbildverstärker erforderlich.

Bei verschiedenen Verletzungsformen ist die Kombination mit Schrauben, Zuggurtung oder Spickdrahtfixation ratsam.

### Indikation (Beispiele)

- Schafffrakturen, einfach oder mehrfragmentär
- gelenknahe Frakturen
- Frakturen mit Weichteilschäden
- trauma- und tumorbedingte Defekte am Carpus, Metacarpus und den Phalangen
- Arthrodesen
- Distraktionsosteogenesen, z. B. Daumenverlängerung
- Segmenttransport am Metacarpus
- Capitatum - Distraktion bei Lunatum - Malazie
- Unterkieferfrakturen



# TREU = INSTRUMENTE



## Standard

### T 250 Hand / Finger und Mandibula Fixator Set

Cat. Nr.	Beschreibung	Stück
8-2506	TREUFIX Nr. I	1
8-2510	TREUFIX Nr. II	1
8-2520	TREUFIX Nr. III	1
T 251	Aluminium Behälter für Finger-Fixateur	1
8-2530	Ersatzspindeln 40 mm	1
8-2532	Ersatzspindeln 50 mm	1
8-2534	Ersatzspindeln 60 mm	1
8-2526	Ersatzfeststellschrauben	20
8-0342	Imbusschlüssel 1,5 mm	1
8-0339	Imbusschlüssel 4,0 mm	1
8-2540	Schraubendreher	1
8-2550	Haltebolzen schmal	1
8-2552	Haltebolzen breit	1
7-300	Kirschnerdrähte ø 1,8 mm 70 mm lang, 30 mm Gewinde	12
7-301	Kirschnerdrähte ø 1,6 mm 70 mm lang, 30 mm Gewinde	12

#### zusätzlich empfohlene Instrumente:

8-2560	Haltezange	1
7-430	Zwickzange	1
7-432	Zwickzange	1
7-388	Kirschner Extraktionszange 130 mm	1
7-390	Kirschner Extraktionszange 180 mm	1
7-400	Ausziehzange Chrom Vanadium	1
7-402	Ausziehzange rostfrei	1

## Standard

### T 250 Hand / Finger and Mandibula Fixator Set

Cat. No.	Description	Pieces
8-2506	TREUFIX No. I	1
8-2510	TREUFIX No. II	1
8-2520	TREUFIX No. III	1
T 251	Aluminium Box	1
8-2530	Threaded Rod 40 mm	1
8-2532	Threaded Rod 50 mm	1
8-2534	Threaded Rod 60 mm	1
8-2526	Fixation Screws	20
8-0342	Allen Key 1.5 mm	1
8-0339	Allen Key 4.0 mm	1
8-2540	Screw Driver	1
8-2550	Holding Lever small	1
8-2552	Holding Lever wide	1
7-300	Kirschner Wire ø 1.8 mm 70 mm long, thread 30 mm	12
7-301	Kirschner Wire ø 1.6 mm 70 mm long, thread 30 mm	12

#### Recommended Instruments

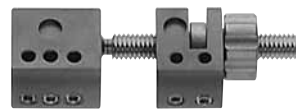
8-2560	Holding Forceps	1
7-430	Wire Cutter	1
7-432	Wire Cutter	1
7-388	Kirschner Wire Extracting Pliers 130 mm	1
7-390	Kirschner Wire Extracting Pliers 130 mm	1
7-400	Flat Nose Parallel Pliers Chrome Vanadium	1
7-402	Flat Nose Parallel Pliers stainless steel	1



# TREU = INSTRUMENTE



8-2506 TREUFIX Nr. I



8-2510 TREUFIX Nr. II



8-2520 TREUFIX Nr. III



# TREU = INSTRUMENTE

**8-2530** Ersatzspindel 40 mm  
Threaded Rod 40 mm



**8-2532** Ersatzspindel 50 mm  
Threaded Rod 50 mm



**8-2534** Ersatzspindel 60 mm  
Threaded Rod 60 mm



**8-2540** Schraubendreher  
Screwdriver



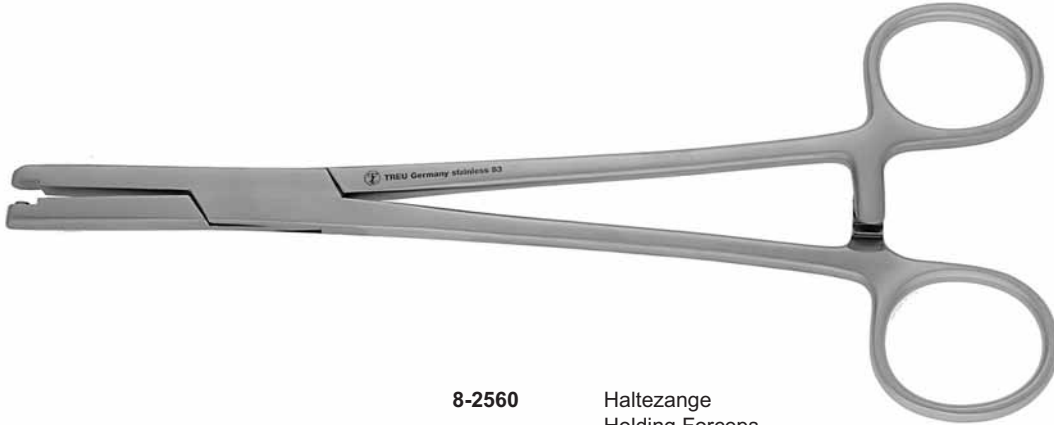
**8-2550** Haltebolzen schmal  
Holding Lever small



**8-2552** Haltebolzen breit  
Holding Lever wide



# TREU = INSTRUMENTE



**8-2560**

Haltezange  
Holding Forceps



**7-300** Kirschnerdraht mit Gewinde und Trokarspitze  $\varnothing$  1,8 mm, 70 mm lang, 30 mm Gewinde  
Kirschner Wire with thread and trocar point  $\varnothing$  1.8 mm, 70 mm long, 30 mm thread

**7-301** Kirschnerdraht mit Gewinde und Trokarspitze  $\varnothing$  1,6 mm, 70 mm lang, 30 mm Gewinde  
Kirschner Wire with thread and trocar point  $\varnothing$  1.6 mm, 70 mm long, 30 mm thread



# TREU - INSTRUMENTE



**7-430**  
TC 180 mm  
weicher Draht 2,0 mm  
soft Wire 2.0 mm  
harter Draht 1,5 mm  
hard Wire 1.5 mm



**7-432**  
TC 180 mm  
Front und Seitenschneider  
front and lateral cutting action  
weicher Draht 2,0 mm  
soft Wire 2.0 mm  
harter Draht 1,5 mm  
hard Wire 1.5 mm



# TREU = INSTRUMENTE

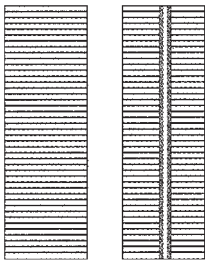


**7-388**

Extraktionszange für Bohrdraht, 130 mm  
Extraction Pliers for Boring Wire, 130 mm

**7-390**

Extraktionszange für Bohrdraht, 180 mm  
Extraction Pliers for Boring Wire, 180 mm



**7-402**

Parallel - Flachzange ohne Seitenschneider  
180 mm Stainless Steel  
Flat - Nose Pliers parallel, without lateral  
wire cutter 180 mm Stainless Steel





# TREU - INSTRUMENTE

## Circular Hybrid External Fixator



Circular Hybrid External Fixator consisting of:

- 4 x halfrings
- 1 x Axial fixator
- 3 x Schanz Pins
- 1 x Hybrid clamp
- 4 x Kirschner wires
- 8 x Bolts for Kirschner wires
- 16 x Washer
- 10 x Nuts
- 4 x Distance Holders
- 14 x Locking Screws

- 8-0500 Cicular Hybrid External Fixator complete Standard
- 8-0502 Hybrid Fixator short modell
- 8-0504 Hybrid Fixator long modell

### Half-Ring Aluminium Alloy



Cat. No.	Description
8-0510	Half-Ring ø 80 mm
8-0511	Half-Ring ø 100 mm
8-0512	Half-Ring ø 110 mm
8-0513	Half-Ring ø 120 mm
8-0514	Half-Ring ø 130 mm
8-0515	Half-Ring ø 140 mm
8-0516	Half-Ring ø 150 mm
8-0517	Half-Ring ø 160 mm
8-0518	Half-Ring ø 180 mm
8-0519	Half-Ring ø 200 mm
8-0520	Half-Ring ø 220 mm
8-0521	Half-Ring ø 240 mm

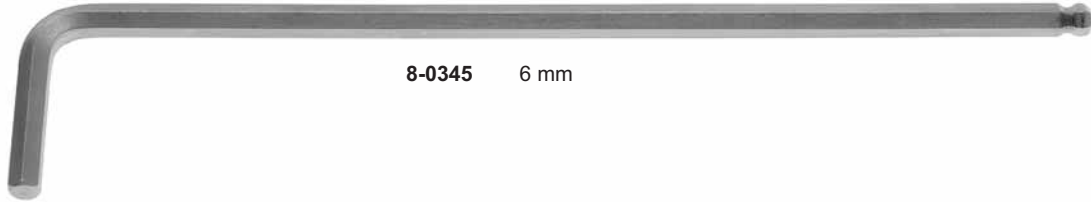
### Carbon-Fiber Half Rings



Cat. No.	Description
8-0522	Carbon-Fiber Half-Ring ø 80 mm
8-0523	Carbon-Fiber Half-Ring ø 100 mm
8-0524	Carbon-Fiber Half-Ring ø 110 mm
8-0525	Carbon-Fiber Half-Ring ø 120 mm
8-0526	Carbon-Fiber Half-Ring ø 130 mm
8-0527	Carbon-Fiber Half-Ring ø 140 mm
8-0528	Carbon-Fiber Half-Ring ø 150 mm
8-0529	Carbon-Fiber Half-Ring ø 160 mm
8-0530	Carbon-Fiber Half-Ring ø 180 mm
8-0531	Carbon-Fiber Half-Ring ø 200 mm
8-0532	Carbon-Fiber Half-Ring ø 220 mm
8-0533	Carbon-Fiber Half-Ring ø 240 mm



# TREU - INSTRUMENTE



8-0345 6 mm



8-0786 Combination Spanner width AA10



8-0070 Socket Wrench with across flats 10 mm  
180 mm long, for threaded conical bolts  
and external fixateur



9-090 T-Handle with quick action chuck



8-0068 Simple T-Handle for Steinmann Pin insertion



8-0940 Wire Thightener



# TREU = INSTRUMENTE

## Steinmann Pins



Point	Trocar	Trocar	Trocar	Trocar
Shaft end	Triangular	Triangular	Triangular	Triangular
Length	<b>ø 3.5 mm</b>	<b>ø 4.0 mm</b>	<b>ø 4.5 mm</b>	<b>ø 5.0 mm</b>
120 mm	<b>8-1100</b>	<b>8-1112</b>	<b>8-1124</b>	<b>8-1136</b>
150 mm	<b>8-1102</b>	<b>8-1114</b>	<b>8-1126</b>	<b>8-1138</b>
180 mm	<b>8-1104</b>	<b>8-1116</b>	<b>8-1128</b>	<b>8-1140</b>
200 mm	<b>8-1106</b>	<b>8-1118</b>	<b>8-1130</b>	<b>8-1142</b>
250 mm	<b>8-1108</b>	<b>8-1120</b>	<b>8-1132</b>	<b>8-1144</b>
300 mm	<b>8-1110</b>	<b>8-1122</b>	<b>8-1134</b>	<b>8-1146</b>



- 8-1147** Protective Caps for Steinmann Pins 3.0 mm
- 8-1148** Protective Caps for Steinmann Pins 4.0 mm
- 8-1149** Protective Caps for Steinmann Pins 5.0 mm



# TREU = INSTRUMENTE

## Steinmann Pins with Central Thread with Trocar Point and Triangular Shaft (on request, available in other shafts needed)



thread -  $\emptyset$  is 0.5 mm  
more than pin -  $\emptyset$

Order No.	mm $\emptyset$	Length mm
8-1150	3.00	150
8-1151	3.00	180
8-1152	3.00	200
8-1153	3.00	230
8-1154	3.50	150
8-1155	3.50	180
8-1156	3.50	200
8-1157	3.50	230
8-1158	4.00	150
8-1159	4.00	180
8-1160	4.00	200
8-1161	4.00	230
8-1162	4.00	250
8-1163	4.50	150
8-1164	4.50	180
8-1165	4.50	200
8-1166	4.50	230
8-1167	4.50	250
8-1168	4.50	300
8-1169	5.00	150
8-1170	5.00	180
8-1171	5.00	200
8-1172	5.00	230
8-1173	5.00	250
8-1174	5.00	300



# TREU = INSTRUMENTE

## Schanz Screws (with Trocar Point and Triangular Shaft)



Order No.	mm $\varnothing$	Length mm	Thread length mm
8-1200	3.00	60	20
8-1202	3.00	80	20
8-1220	4.00	60	25
8-1222	4.00	100	25
8-1224	4.00	130	25
8-1228	4.00	170	25
8-1240	4.50	100	50
8-1242	4.50	120	50
8-1244	4.50	150	50
8-1246	4.50	170	50
8-1248	4.50	200	50
8-1250	4.50	250	50
8-1260	5.00	100	50
8-1264	5.00	125	50
8-1266	5.00	150	50
8-1268	5.00	170	50
8-1270	5.00	200	50
8-1272	5.00	250	50
8-1280	6.00	100	30
8-1284	6.00	150	50
8-1285	6.00	170	50
8-1286	6.00	200	50
8-1287	6.00	250	50



# TREU = INSTRUMENTE

## TREU - DYNAMIC - SCHRAUBE TREU - DYNAMIC SCREW

**Selbstschneidend  
mit Bohrerspitze und  
Spiralanschliff.**

**Vorteil:  
Kein Vorbohren  
erforderlich.**



**Self - cutting with  
drill bit and spiral  
groove.**

**Advantage:  
Pre - drilling is not  
necessary.**



Cat. No.	mm $\varnothing$	Length mm	Thread length mm
8-1300	3.00	60	20
8-1302	3.00	80	20
8-1310	5.00	150	50
8-1312	5.00	170	50
8-1314	5.00	200	50
8-1320	6.00	150	50
8-1322	6.00	170	50
8-1324	6.00	200	50



# TREU = INSTRUMENTE

Cortical Screws  
 ø Shaft 6 mm  
 ø Thread 6/5 mm  
 ø Drill 4.8 mm



Total length mm	Thread length mm							
	30	40	50	60	70	80	90	100
90	<b>8-1350</b>							
100	<b>8-1352</b>	<b>8-1356</b>						
110		<b>8-1358</b>	<b>8-1370</b>					
120		<b>8-1360</b>		<b>8-1380</b>				
130		<b>8-1362</b>	<b>8-1372</b>	<b>8-1382</b>				
140			<b>8-1374</b>					
150				<b>8-1384</b>				
160					<b>8-1390</b>		<b>8-1400</b>	
170						<b>8-1396</b>		
180							<b>8-1402</b>	<b>8-1410</b>
200						<b>8-1398</b>	<b>8-1404</b>	

Cancellous Screws  
 ø Shaft 6 mm  
 ø Thread 6/5 mm  
 ø Drill 4.8 mm



Total length mm	Thread length mm			
	30	40	50	60
90	<b>8-1450</b>			
100	<b>8-1452</b>	<b>8-1456</b>		
110		<b>8-1458</b>	<b>8-1464</b>	
120		<b>8-1460</b>		<b>8-1470</b>
130		<b>8-1462</b>	<b>8-1466</b>	<b>8-1472</b>
150			<b>8-1468</b>	<b>8-1474</b>



# TREU = INSTRUMENTE

## Blunt Half Pin, self tapping, with Triangle End



Order No.	mm ø	Length mm	Thread length mm	Twist Drill
<b>8-1500</b>	3.00	75	25	25
<b>8-1502</b>	3.00	110	22	25
<b>8-1504</b>	4.00	120	45	45
<b>8-1506</b>	5.00	120	40	40
<b>8-1508</b>	5.00	150	50	50
<b>8-1510</b>	5.00	180	50	50
<b>8-1512</b>	6.00	150	50	50
<b>8-1514</b>	6.00	180	50	50
<b>8-1516</b>	6.00	200	60	60

Threaded Steinmann Pins 230 mm  
Trocar point and round end



Diameter	2.0	2.5	3.0	3.5	4.0	4.5	5.0
Cat. No.:	<b>8-1600</b>	<b>8-1602</b>	<b>8-1604</b>	<b>8-1606</b>	<b>8-1608</b>	<b>8-1610</b>	<b>8-1612</b>

Calibrated Steinmann Pins 230 mm (Watson Jones)  
Trocar point and round end



Diameter	2.0	2.5	3.0	3.5	4.0	4.5	5.0
Cat. No.:	<b>8-1620</b>	<b>8-1622</b>	<b>8-1624</b>	<b>8-1626</b>	<b>8-1628</b>	<b>8-1630</b>	<b>8-1632</b>





# TREU - INSTRUMENTE



## Drill Bits

ø mm	AO shaft	Length mm	round shaft	Length mm
2.0	<b>9-014</b>	100 / 75	<b>9-044</b>	85 / 70
2.5	<b>9-016</b>	110 / 85	<b>9-046</b>	95 / 80
2.7	<b>9-018</b>	100 / 75	<b>9-048</b>	85 / 70
3.2	<b>9-020</b>	145 / 120	<b>9-050</b>	130 / 115
3.2	<b>9-021</b>	195 / 170	<b>9-051</b>	180 / 165
4.8	<b>9-030</b>	195 / 170	<b>9-054</b>	180 / 165



Drill Bits Cannulated hole ø 2.1 mm Length 150 mm (recommended)  
Kannulierter Bohrer Bohrung ø 2,1 mm Länge 150 mm (empfohlen)

Cat. No.	ø mm
<b>1-1861</b>	3,5
<b>1-1862</b>	4,0
<b>1-1863</b>	4,8



# TREU = INSTRUMENTE